

CX Attrition Scrubber

Attrition scrubber is a mechanical equipment designed and manufactured by our company according to the scientific research institutions and production practice. It is used to scrub the slurry with a concentration of 65-70% and scrub the mud and sand in the ore. And it creates conditions for mineral processing and apply to other scrubbing industries.

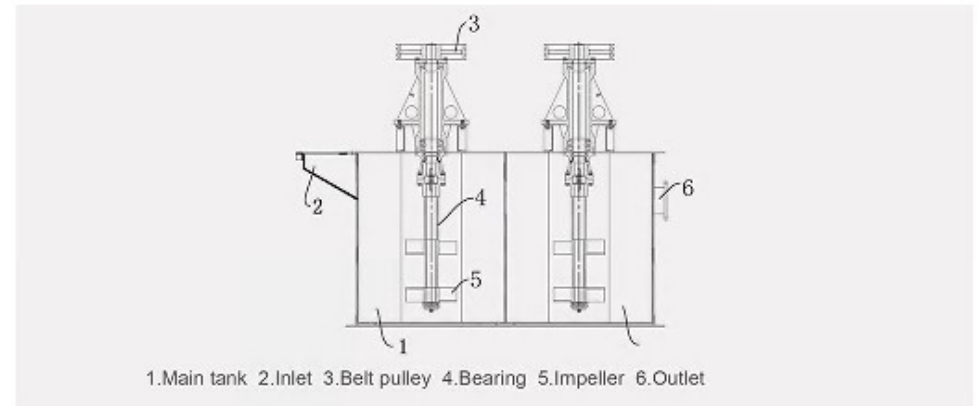


Features

1. Small power consumption, strong scrubbing stirring ability, good effect.
2. Impeller is above the "slurry sedimentation zone". Starting is easy, starting power is small, and the labor intensity of operator is greatly reduced.
3. Simple structure, large effective volume, and small floor space.
4. Low circumferential speed and long service life.
5. Feeding, discharging and motor of the double-slot attrition scrubber can be made into different positions according to the requirements of the user.



Working principle



Motor drives the spindle to rotate through the pulley (clockwise from top to bottom), and the blade produces a negative pressure zone. Material is fully stirred and rinsed, and then pushed out by the blade, flowing along the wall of the barrel. The scrubbed material is continuously discharged from the discharge port, completing the scrubbing work.

Tech specifications

Model	Diameter of impeller (mm)	Volume (m³)	Feeding size (mm)	Capacity (t/h)	Power (kw)	Weight (kg)	Overall dimension (LxWxH) (mm)
CX0.25-1	240	0.25	≤10	2-10	3	350	710*708*1310
CX0.25-2	240*2	0.25*2	≤10	2-10	3*2	660	1365*708*1310
CX0.5-1	320	0.5	≤10	5-20	5.5	450	922*886*1550
CX0.5-2	320*2	0.5*2	≤10	5-20	5.5*2	890	1761*886*1550
CX1-1	480	1	≤10	10-40	15	1400	1180*1142*2057
CX1-2	480*2	1*2	≤10	10-40	15*2	2410	2276*1142*2057
CX2-1	520	2	≤10	20-70	30	3300	1597*1597*2775
CX2-2	520*2	2*2	≤10	20-70	30*2	6210	3075*1597*2775
CX4-1	770	4	≤10	40-100	55	7500	1900*1752*3470
CX4-2	770*2	4*2	≤10	40-100	55*2	14560	3712*1752*3470